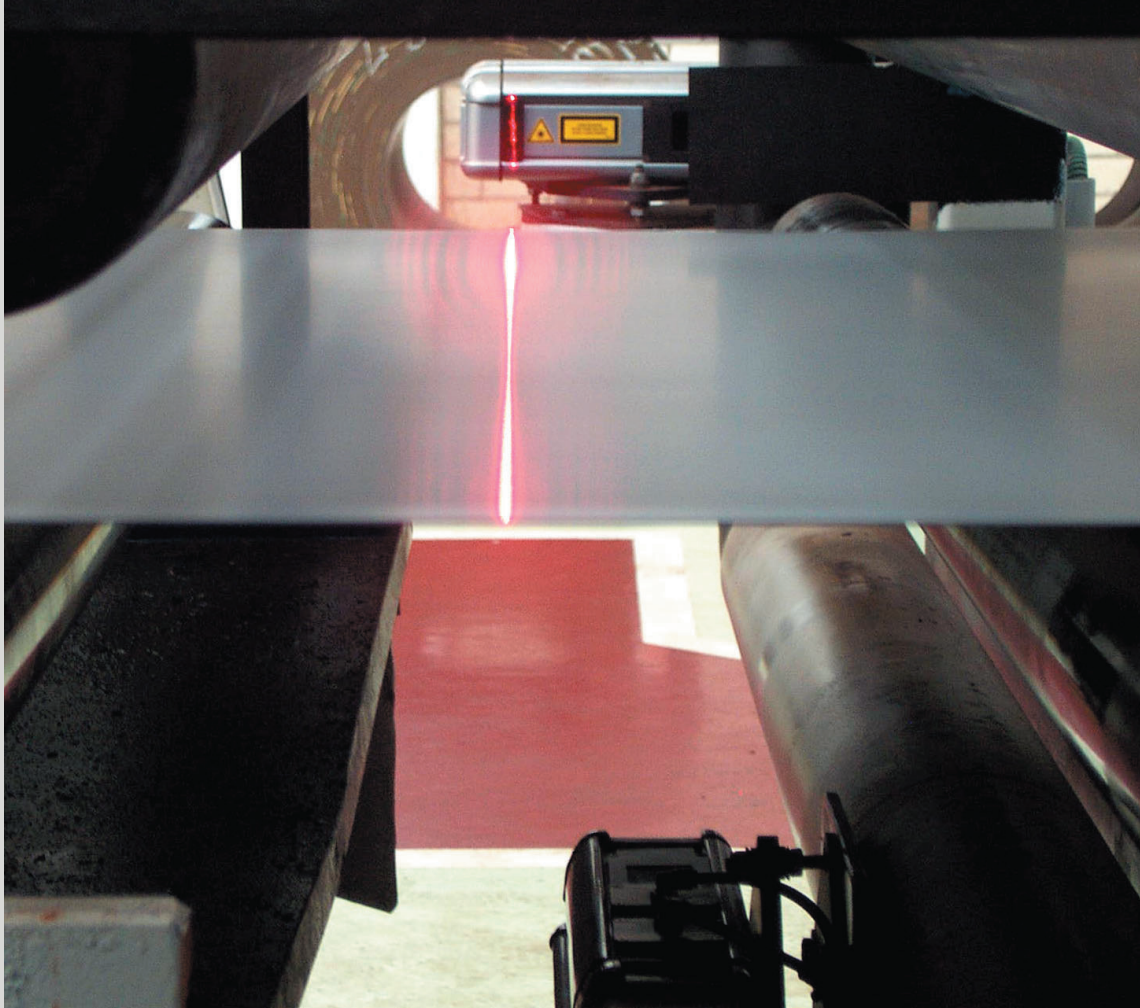


Height Vision Width Measurement



- Dimensional measurement using high speed and high accuracy laser sensors
- Large and flexible measurement ranges and stand off's fits all strip mills.
- Dimension measurement gives you information about your mill performance and provides important data for finished products.
- Sensors with height vision kit measures the strip even if the strip moves.
- A solution can consist of sensors or a complete measurement system
- Heavy duty design
- Easy to install and maintain
- World wide references

Typical Specifications

Measured object

Type	Steel strip (hot or cold)	
Width	10002000 mm	(1)
Thickness	1 25 mm	(1)
Deviation from conveyor centerline	+/-100 mm	
Temperature	0 1200 °C	
Speed in length direction (conveyor speed)	0 ... 10 m/s	

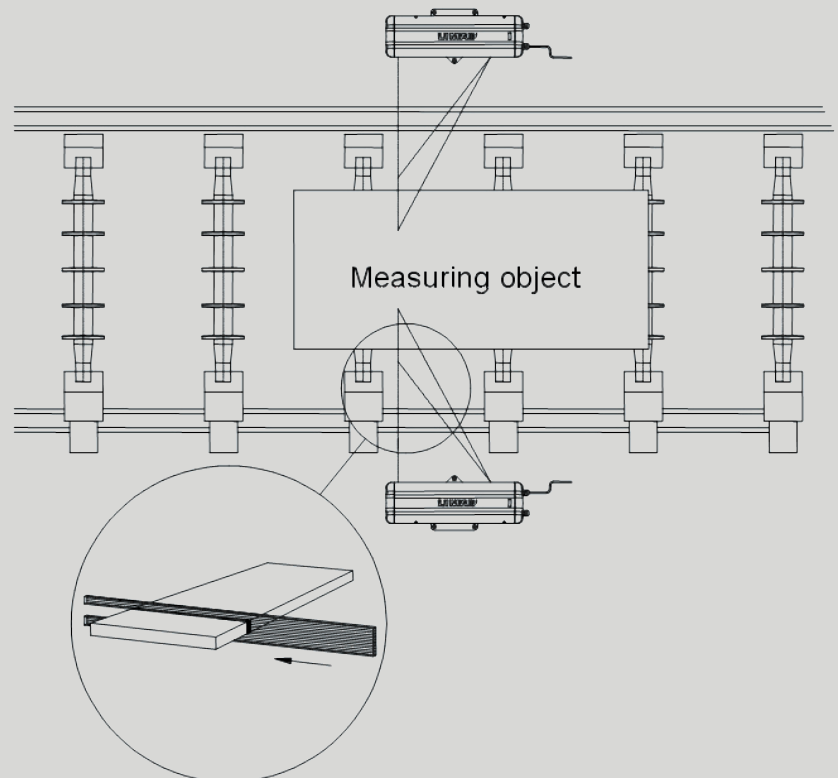
Measurement sensors

Accura 35H Stand-off distance (SO)	300 ... 1300 mm
Accura 35H Measurement Range (MR)	100 ... 2000 mm
Accura 35 Maximum SO+MR	2300 mm
Accura 24H Stand-off distance (SO)	850 ... 4000 mm
Accura 24H Measurement Range (MR)	100 ... 8000 mm
Accura 24 Maximum SO+MR	10000 mm
Environment	Indoor with no direct sunlight at target area.
Ambient temperature	-10 ... +600 °C
Measurement rate	Max. 2000 Hz

Width measurement

Repeatability < ± 1 mm at 2σ

(1) Others available on request



LIMAB®

Exportgatan 38B, SE-422 46 HISINGS BACKA, Sweden

Tel: +46 31-58 44 00 Fax: +46 31-58 33 88

www.limab.com E-mail: sales@limab.se